



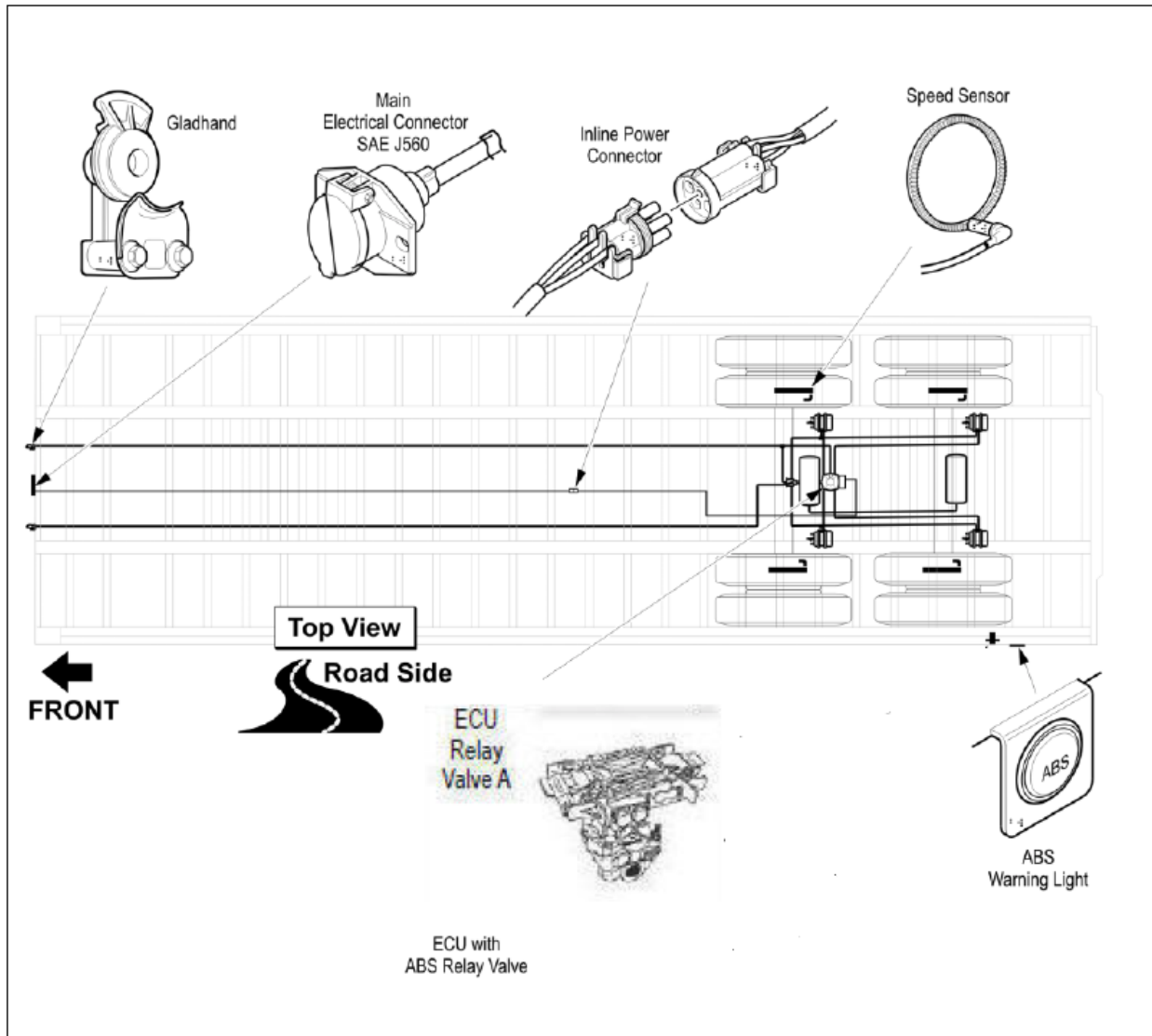
Haldex 4S2M Retrofit To GEN2 4S1M

Kit #

1. Release all pressure from the air system
2. Remove power from the trailer
3. Disconnect and remove the power cable / sensor cable assembly from the ECU / Modulator Assembly
 - a. Note: The power cable must be replaced.
 - b. Note: All sensor cables must be replaced.
4. Label to identify each air line going to ECU / Modulator Assembly and Relay Valve B.
 - a. Note: Relay Valve B will be removed and the air lines will be routed to Relay Valve A.
 - b. The port that Relay Valve B was removed from needs to be plugged
5. Disconnect all air lines
6. Remove Relay Valve B and plug hole.
7. Label and identify each sensor connection
8. Disconnect each sensor connection
9. Remove the ECU / Modulator Valve Assembly from its mounting location:
9. Install the GEN2 ECU / Modulator Valve Assembly
 - A. Refer to **How to Install the ECU / Modulator Valve Assembly in GEN2 ABS Installation Manual**
 - B. On 4S2M retrofits, use kit with extended modulator valve cable to connect to ABS relay B.
 - C. On 4S1M retrofits
 - a. Remove ABS relay B and install plug in its place.
 - b. Installation of air lines with include all 4 delivery ports.
10. Install extension cables to each sensor. Follow procedures and locations of Final Assembly Procedure For Sensor Cables in GEN2 Installation manual.




2A sensor	Front Curb Side	YE1
3A sensor	Front Road Side	YE2
2B sensor	Rear Curb Side	BU2
3B sensor	Rear Road Side	BU1
11. Install each sensor to its corresponding location based on the label position and secure locking mechanism. Ensure gel is applied
12. Install GEN 2 power cable and connect power cable connector to ECU. Secure locking mechanism. Ensure gel is applied.
13. Install each air line to its corresponding location based on label position. On a 4S1M retrofit all 4 air lines will be mounted on the 4 positions of Relay valve A

14. Perform end of line test from the GEN2 Installation manual.



Pneumatic Diagram

Key

	3/8" O. D. Nylon Tubing
	3/8" O. D. Nylon Tubing (Alt. 1/2" O. D.)
	3/8" I. D. Hose

